

## NEXT GENERATION CORESENSE™ FOR COPELAND STREAM™ COMPRESSORS

1	Introduction .....	3
2	Specifications .....	3
3	Next Generation CoreSense features .....	4
4	Warnings, trips and lockouts .....	4
5	Protection features .....	5
5.1	Oil protection.....	5
5.1.1	Insufficient oil pressure protection .....	5
5.1.2	Oil level protection (optional) .....	5
5.2	Motor overheat protection.....	6
5.2.1	Static overheat protection .....	6
5.2.2	Dynamic overheat protection .....	6
5.3	High discharge temperature protection.....	6
5.4	Current protection .....	7
5.4.1	Locked rotor protection .....	7
5.4.2	MOC protection.....	7
5.4.3	Switching frequency overstepping protection .....	7
5.4.4	MOC detection at first start .....	7
5.5	Phase / voltage monitoring .....	8
5.5.1	Missing phase protection / Phase failure protection .....	8
5.5.2	Undervoltage protection.....	8
5.5.3	Overvoltage protection.....	8
5.5.4	Voltage imbalance protection .....	8
5.5.5	Welded contactor protection .....	8
5.5.6	Part-winding protection .....	9
6	Variable frequency drive mode.....	9
7	Emergency mode .....	9
8	LEDs on the terminal box cover .....	10
8.1	Compressor status codes .....	10
8.2	Failure alarms displayed by LEDs .....	11
9	Alarm history.....	11
10	Reset button .....	12
11	Crankcase heater control .....	12
12	Power consumption measurement.....	12
13	Data port for communication with Next Gen CoreSense module app .....	12



13.1 Connectivity .....13

14 Modbus module (optional) .....13

15 Next Gen CoreSense module app .....13

16 Electrical connections .....14

    16.1 Basic connections .....14

    16.2 Wiring diagrams .....14

17 List of tables and figures.....18

## 1 Introduction

CoreSense™ is an ingredient brand name for compressor electronics associated with Copeland™ branded compressors. The CoreSense technology uses the compressor as a sensor to unlock information from within the compressor, providing value-added features such as advanced motor protection, diagnostics, power consumption measurement and communication.

With active protection, advanced algorithms, and features like fault history and LED indicators, the Next Generation CoreSense (or Next Gen CoreSense) for Copeland brand compressors enables technicians to diagnose the past and recent state of the system, allowing for quicker, more accurate diagnostics and less downtime. Next Gen CoreSense is available as standard with the 4- and 6-cylinder Stream compressors.

The advantages of the Next Gen CoreSense module versus other protection modules are the response speed and the overall protection scheme. All protection features are functional right after compressor start and the module will stop the compressor in less than a second if a harming situation is detected.



Figure 1: Next Generation CoreSense module

## 2 Specifications

The Next Gen CoreSense module is located and prewired in the terminal box. All required parameters are flashed during the production of the compressor.

The power supply for the control module can be 115 VAC or 230 VAC.

Operating ambient temperature	-30 °C to 70 °C
Storage temperature	-30 °C to 80 °C
Voltage requirements	115-230 VAC - 50/60 Hz
Protection class	IP00

Table 1: Next Gen CoreSense specifications



Figure 2: Next Gen CoreSense inside the terminal box

### 3 Next Generation CoreSense features

Next Gen CoreSense is a modular system. This modular design gives the customers the flexibility to choose individual protection and/or control levels. It is possible to extend the compressor protection from just basic functions to a high tier protection to enlarge the lifetime of the compressor.

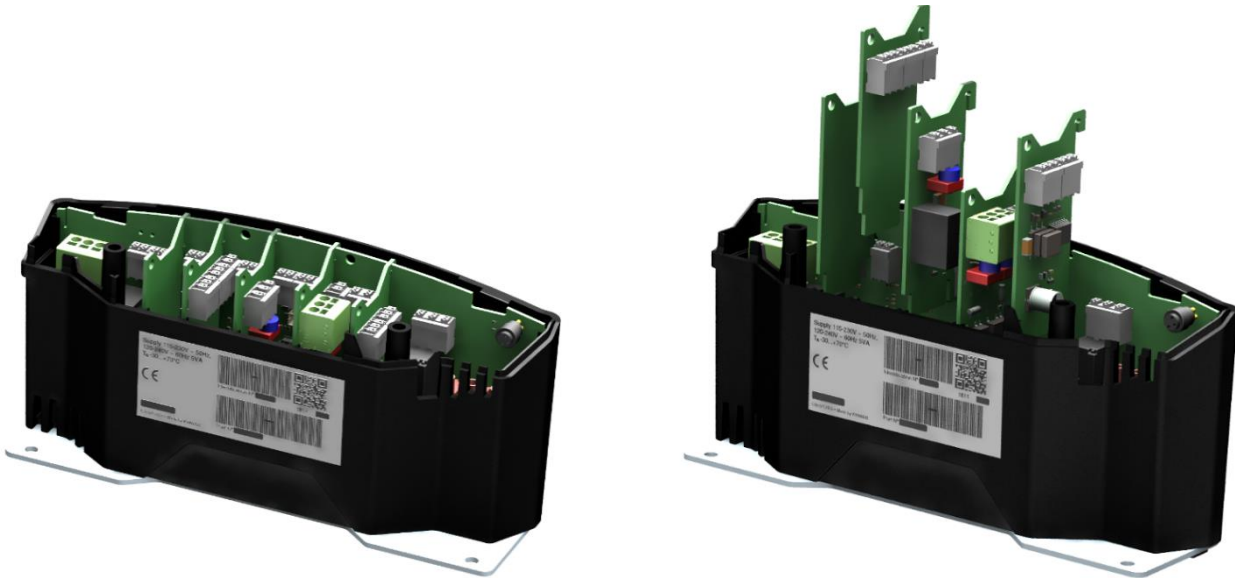


Figure 3: Inside view of the Next Gen CoreSense module, with the modular boards

Basic features	
Motor overheat protection	High discharge temperature protection
Insufficient oil pressure protection	Oil level protection (in combination with Emerson TraxOil)
Current protection	Phase failure protection
Voltage imbalance protection	Undervoltage and overvoltage protection
Power consumption measurement	Part-winding protection
Crankcase heater control	Welded contactor protection
Switching frequency overstepping protection	Connection with computer, Android or iOS device
LEDs on the terminal box cover	Reset button for manual reset

Table 2: List of basic features

### 4 Warnings, trips and lockouts

Next Gen CoreSense provides 3 different protection levels. Each of them has its own LED colour.

- **Warning alarms:** Compressor will continue to run.
- **Trip alarms:** Compressor turns off for defined time with automatic reset.  
The compressor was stopped due to a fault condition. The compressor will restart when the fault condition is cleared and the defined off time has elapsed.
- **Lockout alarms:** Compressor turns off, manual reset is necessary.  
The compressor was stopped due to a fault condition. The compressor will restart when the fault condition is cleared and a manual reset using the reset button has been done. If a Modbus extension module is mounted, the reset can be done via Modbus.

## 5 Protection features

### 5.1 Oil protection

#### 5.1.1 Insufficient oil pressure protection

The Next Gen CoreSense module receives an input from the oil pressure differential sensor (OPS3) located in the oil pump.

The module replaces the mechanical oil pressure switch. Furthermore, it provides the added value of communication for insufficient oil pressure warning and lockout via LED flash codes and/or a supervisory pack controller. Total insufficient oil pressure time for the compressor is stored and accumulated in the module memory.

The module will issue a **warning** when the oil pressure differential falls below 0.95 bar for 4 seconds. Once the oil pressure differential falls below 0.95 bar for 2 minutes, the module will **trip** the compressor and a "low oil pressure lockout" will be reported. Before using the reset button, troubleshooting needs to be performed to understand the failure. The compressor will switch back on once the reset has been manually activated.

**NOTE:** This feature is not applicable to the Stream CO<sub>2</sub> compressors that do not have an oil pump fitted and are "splash" lubricated.

#### OPS3 Oil Pressure Switch sensor technical data:

- Permitted ambient temperature: -30 °C to 90 °C
- Protection Class: IP45



Figure 4: OPS3 Oil Pressure Switch and electronic part (delivered connected)

#### 5.1.2 Oil level protection (optional)

The oil protection is achieved with an OW4/5 TraxOil oil level monitoring device or an OM3/4/5 TraxOil oil level monitoring and balancing device.

The TraxOil uses a hall sensor to measure the oil level. A magnetic float (unaffected by foaming oil) changes its position according to the oil level. The hall sensor converts the magnetic field changes into an equivalent signal, which is used by the integrated electronic controller to monitor and display the actual oil level with LEDs.



Figure 5: TraxOil OW5 Oil watch device

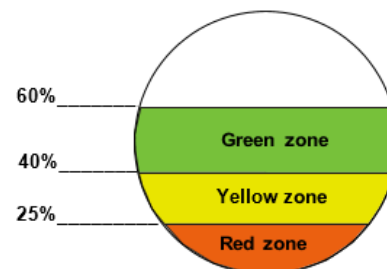
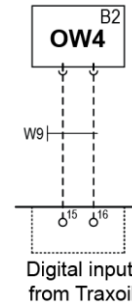


Figure 6: Sight glass level control zones

LEDs	Status	Function
●	Oil level in green zone (60 – 40 %)	OK
● ●	Oil level in green zone (60 – 40 %)	OK
●	Oil level in yellow zone (40 – 25 %)	OK
●	Oil level in red zone (25 – 0 %)	<b>Warning or trip</b>

**Table 3: LED code legend**



The oil protection is not part of the standard compressor delivery. The selected device will have to be connected to the Next Gen CoreSense module via terminals 15 and 16.

Two connection possibilities can be chosen in the Next Gen CoreSense module app:

- Closed when OK:
  - Default setting after activation
  - Connect Blue (BU) and Black (BK) wires
- Open when OK:
  - Connect Brown (BN) and Black (BK) wires

The user has the possibility to select between a **warning** or **trip** condition if the oil level is below 25 %.

## 5.2 Motor overheating protection

By using Positive Temperature Coefficient (PTC) thermistors on 4M\* and 6M\* Stream compressor models, Next Gen CoreSense provides motor overheating protection.

Two chains of three thermistors each connected in series are embedded in the motor windings in such a manner that the temperature of the thermistors can follow with little inertia.

### 5.2.1 Static overheating protection

The Next Gen CoreSense module will **trip** the compressor if the motor windings are getting too hot.

#### Standard condition:

- Total resistance of the thermistor chains @ 25 °C ≤ 1.8 kΩ

#### Alarm condition:

- **Trip** condition: PTC resistance > 4.5 kΩ;
- Reset condition: PTC resistance < 2.75 kΩ; 5 min time delay.

#### Trip due to sensor failure:

- Short circuit: PTC resistance < 20 Ω;
- Open circuit: PTC resistance > 20 kΩ.

### 5.2.2 Dynamic overheating protection

If the motor winding temperature increases in a short period (> 240 Ω /400 ms), the module will **trip** the compressor. The compressor will restart after 5 minutes.

## 5.3 High discharge temperature protection

Discharge temperature protection is provided using a PT1000 sensor in the compressor cylinder head.

The sensor is pre-installed at the factory and connected to the Next Gen CoreSense module. The module will protect the compressor from high discharge temperature conditions. If the temperature sensor detects a discharge temperature higher than 154 °C, the module will shut off the compressor until the temperature cools down to an acceptable level (20 K below setpoint).

The configurable range of trip settings is 108 °C to 154 °C and the reset value is 83 °C to 134 °C.

- **Trip** value ≥ 154 °C for 0.5 sec;
- **Trip** alarm: automatic reset after 2 minutes; discharge temp < 130 °C.



**PT1000 sensor technical data:**

- Measuring range: -40 °C to 155 °C, 170 °C for 30 minutes max
- Tightening torque: 15 Nm
- Protection class: IP65

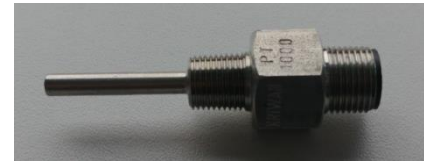


Figure 7: Discharge temperature sensor

**5.4 Current protection**

A current sensor is located in the terminal box.

One power supply wire (2 from the same phase in case of part-winding) is going through this sensor – see T1 in **Chapter 16.2 Wiring diagrams**.

The direction of the leads has to be respected.

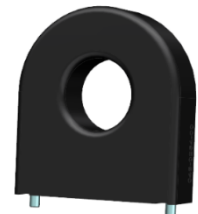


Figure 8: Current sensor

**5.4.1 Locked rotor protection**

If, 2.5 seconds after compressor start, the current is 150% of the MOC value, an alarm is triggered and the compressor **trips**. The alarm is reset after 5 minutes.

After 10 **trips** a **lockout** is activated and the Next Gen CoreSense module must be reset manually using the reset button (no automatic reset).

**5.4.2 MOC protection**

The MOC value of a compressor is stored into the Next Gen CoreSense module. The compressor **trips** if the measured current is higher than the MOC for more than 2 seconds.

This function starts 4.5 seconds after compressor start and resets automatically 5 minutes after tripping.

**5.4.3 Switching frequency overstepping protection**

The number of compressor starts is monitored over a defined period of time. If the compressor reaches the maximum number of starts in a time shorter than the defined one, an alarm is triggered.

- Default setting is 10 starts in 1 hour and **trip** generation.
- The reset time is calculated as the difference between the defined time period (1 hour) and the actual time it took for the defined maximum number of starts (10) to occur.

Example:

- 10 starts occurred in 35 minutes
- the alarm is triggered at 35 minutes
- automatic reset will be done after 25 minutes

It is possible to choose between a **warning** or compressor **trip**.

**5.4.4 MOC detection at first start**

Most compressors have two sets of nominal voltages and frequencies:

- 50 Hz or 60 Hz value for part-winding motors (AW...)
- different voltages for Δ/Y start motors (EW...)

At first start and at every power reset, the Next Gen CoreSense module automatically detects the compressor power supply (voltage and frequency) and will automatically select the corresponding MOC and undervoltage/overvoltage protection setpoints.

If the measured voltage and/or frequency is different from the one defined on the nameplate, the module will generate a **warning**.

For example, if an AWM/D (400 V / 50 Hz or 460 V / 60 Hz) motor is connected to a 230 V power line, the green LED will flash.

## 5.5 Phase / voltage monitoring

There are 6 voltage sensor circuits to measure the 3 phases. Thanks to the 6 sensors the part-winding motors can also be protected.

The status of each phase in direct on-line and part-winding is monitored for undervoltage, overvoltage and phase asymmetry.

### 5.5.1 Missing phase protection / Phase failure protection

A comparison is made between the voltage of each phase and their average. If any of the 3 power phases is missing after compressor start, a single-phasing condition exists.

Any voltage imbalance above 60 % is a condition for phase-loss **trip**.

**Alarm conditions:** occurs in case of missing phase conditions.

- **Trip** time: 5 minutes with automatic reset.

A missing phase can be detected during start-up and when the compressor is running.

### 5.5.2 Undervoltage protection

Occurs when the compressor voltage is lower than the nominal supply voltage.

**Low voltage warning condition:** voltage < 85 % of the nominal line voltage for 2 seconds.

**Low voltage trip conditions:** voltage < 75 % of the nominal line voltage 2 seconds.

- **Trip** time: 2 minutes.

### 5.5.3 Overvoltage protection

Occurs when the compressor voltage is higher than the nominal supply voltage.

**High voltage warning condition:** voltage > 115 % of the nominal line voltage for 2 seconds.

**High voltage trip conditions:** voltage > 125 % of the nominal line voltage for 2 seconds.

- **Trip** time: 2 minutes.

### 5.5.4 Voltage imbalance protection

The purpose of this feature is to protect the compressor against a voltage imbalance that could lead to motor overheating.

A configurable setting (default = 5 %) for voltage imbalance is used to determine the operating limit of the compressor. The voltage imbalance setting is configurable in the range of 2 to 8 % using the Next Gen CoreSense module app.

**Alarm conditions:**

- **Warning:** when the voltage imbalance > 3 % (configurable).
- **Trip:** when the voltage imbalance > 5 % (configurable).
- Reset: automatic reset after 5 min; voltage imbalance < 5 %.

### 5.5.5 Welded contactor protection

This protection verifies 3 independent run signals:

- voltage available on all terminals;
- current detected on 1 phase;
- demand signal – signal from controller to contactor.

If the three run signals are not identical, the Next Gen CoreSense module will generate an alert.

Protection is disabled in default setting. If the Next Gen CoreSense module is connected to the main controller (terminals 17 and 18) and a demand signal is detected the feature is enabled.

The user has the possibility to select between a **warning** or **trip** condition. After a **trip**, the compressor will restart after 2 minutes. Default setting is **warning**.

After 10 **trips** a **lockout** is activated and the module must be reset manually using the reset button (no automatic reset).



### 5.5.6 Part-winding protection

The two winding supply cables should go through the current sensor in the same direction.

At first start or at power reset of the Next Gen CoreSense module, the voltage is measured on both windings.

- If the voltages are identical:
  - the compressor is connected in full winding;
  - the protection is disabled.
- If the voltages are different, the voltages are compared again after 1 second:
  - if the voltage on the second winding is the same as on the first winding:
    - the compressor is connected in part-winding;
    - the protection is enabled;
  - if the voltage on the second winding is not the same as on the first winding, the second winding is improperly connected and the compressor **trips**.

The user has the possibility to select between a **warning** or **trip** condition. After a **trip**, the compressor will restart after 2 minutes. Default setting is **trip**.

## 6 Variable frequency drive mode

When operating with a variable frequency drive, all electrical alarms are disabled.

The variable frequency drive (VFD) mode can be activated through the following procedure:

- disconnect the Next Gen CoreSense Module from the power supply;
- disconnect the current sensor terminals 9 and 10;
- connect a bridge between the current sensor terminals on the module (short circuit);
- energize the module:
  - a short-circuit alarm (orange flashing LED) of the current sensor will appear;
- press and hold the reset button for more than 10 sec (can only be done during the first 5 minutes after power reset):
  - green/red quick flash code of LED;
  - after 10 sec, flashing becomes slow;
- once the reset button is released, the VFD mode is activated.

If the current sensor is connected again, the VFD mode can be activated by pressing the reset button for more than 10 seconds.

## 7 Emergency mode

The emergency mode can exceptionally be used to bypass the advanced protection and operate only with basic protection (oil pressure and motor temperature).

To activate the emergency mode:

- disconnect the discharge line temperature sensor from the Next Gen CoreSense module, terminals 7 and 8;
- connect a bridge between the discharge line temperature sensor terminals (short circuit);
- press and hold the reset button for more than 10 seconds.

## 8 LEDs on the terminal box cover

Status LEDs in 3 colours (green, orange and red) are visible on the top of the T-box.



Figure 9: Next Gen CoreSense module terminal box

### 8.1 Compressor status codes

- Steady **green**: An indication of normal operation. There are no faults or issues with the compressor.
- Flashing **green**: An indication that there is a warning condition. The compressor keeps running.
- Steady **orange**: An indication that the compressor is in emergency mode.
- Flashing **orange**: An indication that the compressor has tripped and will automatically restart after a defined time (auto reset).
- Steady **red**: An indication that CoreSense is in parametrization mode.
- Flashing **red**: An indication that the compressor is locked out. Manual reset is needed for restart.

## 8.2 Failure alarms displayed by LEDs

Alarms are displayed via coloured LEDs and flashing sequences. Every flash sequence is interrupted by a 2-second pause.

Chap.	Flash code	Protection feature	Standard delivery	Standard settings			
				Compressor keeps running Warning	Automatic reset Trip	Manual reset required Lockout	Automatic reset after trip
5.1.1	1	Low oil pressure (oil pump)	X	< 0.95 bar after 4 sec		< 0.95 bar after 2 min	
5.1.2		Oil level protection (OM)	X	Selection possible	Oil level below 25 %		Correct oil level
5.2.1	2	Static motor overheat protection	X		PTC resistance > 4.5 kΩ		5 minutes and PTC resistance < 2.75 kΩ
5.2.2		Dynamic motor overheat protection	X		> 240 Ω/400 ms		5 minutes
5.3	3	High discharge temperature (DLT)	X		154 °C		2 minutes and < 130 °C
5.4.1	4	Locked rotor protection	X		150 % of MOC	10 X Trip	5 minutes
5.4.2		Maximum Operating Current (MOC)	X		MOC		5 minutes
5.4.3		Switching frequency protection	X	Selection possible	10 starts/hour		When number of starts/set time period is lower than set value
5.4.4		MOC detection at first start	X	Voltage different from nameplate			
5.5.1	5	Missing phase protection	X		60 % of voltage imbalance		5 minutes
5.5.2		Undervoltage protection	X	< 85 % of nominal voltage for 2 sec	< 75 % of nominal voltage for 2 sec		2 minutes
5.5.3		Oversvoltage protection	X	> 115 % of nominal voltage for 2 sec	> 125 % of nominal voltage for 2 sec		2 minutes
5.5.4		Voltage imbalance protection	X	Imbalance > 3 %	Imbalance > 5 %		5 minutes and min 2 % below setpoint
5.5.5		Welded contactor protection	X	No demand signal/current on one phase	Selection possible	10 X Trip	
5.5.6		Part-winding protection	X	Selection possible	Voltage difference after 1 sec		

X = Disabled in standard delivery

Table 4: Flashing explanation

## 9 Alarm history

The 20 most recent alarms are stored in the module memory and can be downloaded with the Next Gen CoreSense module app.

### 10 Reset button

Pressing the reset button is needed after a compressor **lockout**. In addition, it can be used for an immediate **trip** reset (no compressor waiting time to restart).

- If the tripping condition is cleared, all **tripping** counters are set to zero, the compressor can restart.
- If the tripping condition is not cleared, the reset signal is ignored.

### 11 Crankcase heater control

The Next Gen CoreSense module controls the crankcase heater directly, so only a crankcase heater with the same power supply as the CoreSense module (115 VAC or 230 VAC) can be applied and connected to terminals 3 and 4.

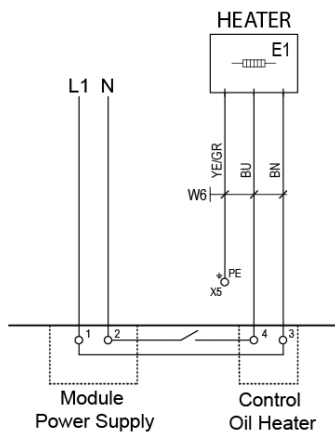


Figure 10: Wiring diagram – Crankcase heater connections

### 12 Power consumption measurement

The power is calculated from the measured voltage, current and power factor.

Accuracy for each measurement:

- voltage  $\pm 5\%$
- current  $\pm 5\%$
- power factor  $\pm 10\%$

Power consumption in kWh is provided in the Next Gen CoreSense module app.

### 13 Data port for communication with Next Gen CoreSense module app

The data port can be used for communication with the Next Gen CoreSense module app to parameter or download data (running history and alarms).

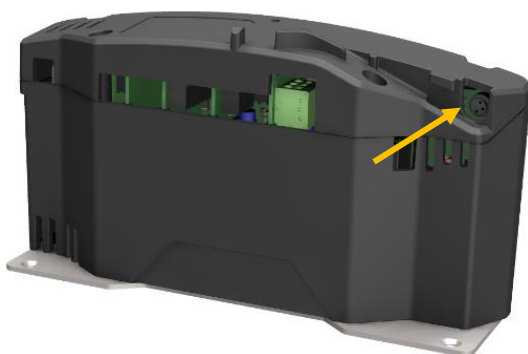


Figure 11: Data port on the Next Gen CoreSense module

### 13.1 Connectivity

There are two possibilities for communication over the data port, USB or Bluetooth gateway.

USB gateway can be used with any computer USB type-A. Adapters USB type-A to USB micro-B and USB-C are delivered to enable connection with Android devices. The connection with iOS devices is not possible over USB gateway.

Bluetooth gateway can be used with any device with Bluetooth adapter. It is also the only connection possibility for iOS devices.



Figure 12: USB gateway adapter



Figure 13: Bluetooth gateway adapter

### 14 Modbus module (optional)

The Next Gen CoreSense module can be equipped with a Modbus extension module for communication via RS485. The diagnosis data can be read into system controllers using the standard Modbus RTU Protocol.



Figure 14: Modbus extension module

**NOTE:** More information about the Modbus interface can be found in the dedicated Technical Information TI\_Stream\_NGCS\_02 "Next Generation CoreSense™ – Modbus Interface Description".

### 15 Next Gen CoreSense module app

An application can be downloaded from Google Play Store for Android, Microsoft Store for Windows or Apple Store for iOS devices. It provides access to the error memory/counter, so the current status of the system can be assessed, and the operating data can be reviewed.

This application also allows to analyse the measurements done by the Next Gen CoreSense module various sensors and to give information about compressor operation such as:

- operating time in normal / warning / tripping conditions;
- number of starts & stops;
- power consumption;
- compressor running time;
- crankcase heater running hours counter.

The Next Gen CoreSense module app can be connected to the Next Gen CoreSense using DP-USB gateway (not applicable for Apple devices) or Bluetooth gateway.

## 16 Electrical connections

### 16.1 Basic connections

The Next Gen CoreSense module is originally delivered with the basic modules preconnected.

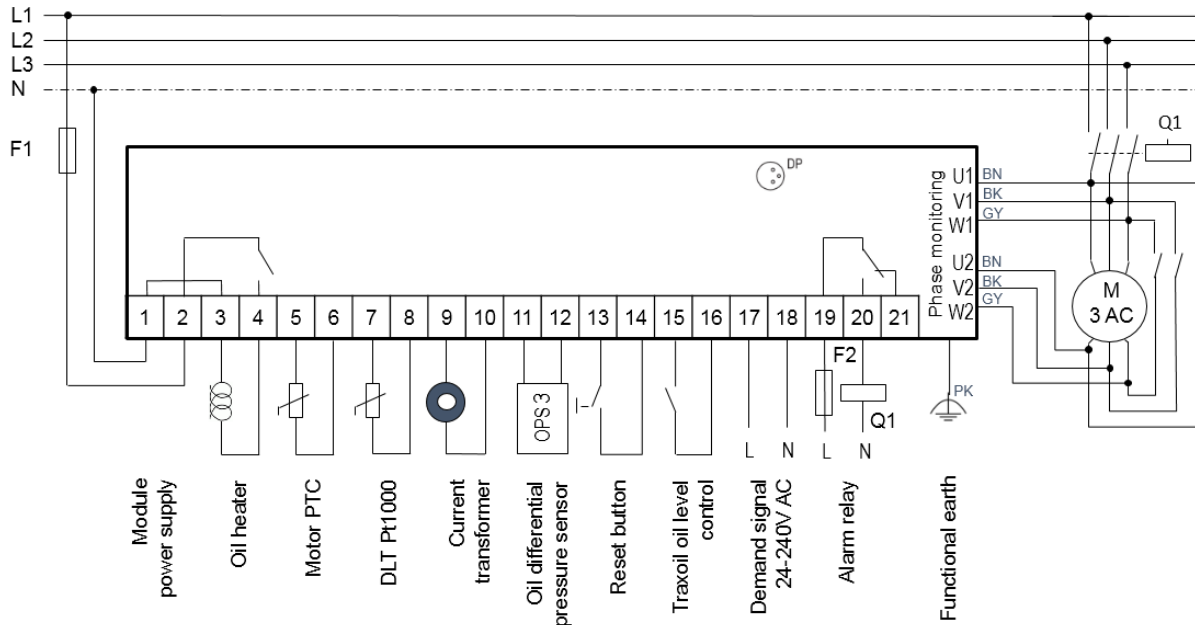


Figure 15: Next Gen CoreSense basic protections

### 16.2 Wiring diagrams

**IMPORTANT**  
 For Stream CO<sub>2</sub> small and medium compressor models (4MTL-05 to 4MTL-30 & 4MSL-03 to 4MSL-15), the blue positions 1U, 2V, 3W, 7Z, 8X, 9Y in diagrams below must be considered. The position of the terminals in all the other Stream compressor models corresponds to the black positions. The factory delivery is correct, DO NOT reverse the connections.

#### Legend

- |                                                                       |                                                |
|-----------------------------------------------------------------------|------------------------------------------------|
| B1..... Discharge gas sensor                                          | DGT..... Discharge gas temperature monitoring  |
| B2..... Oil level watch (TraxOil)                                     | OW ..... Digital oil level watch               |
| B3..... Oil differential pressure switch (OPS)                        | OPS..... Oil differential pressure protection  |
| B11..... High-pressure switch                                         | AR ..... Alarm relay                           |
| B12..... Low-pressure switch                                          | DS ..... Demand signal                         |
| CTR2..... DP Gateway                                                  |                                                |
| E1..... Heater                                                        | CH ..... Control oil heater                    |
| F1,F2,F3 Compressor fuses                                             | PTC ..... Motor thermal protection             |
| F4, F5.... Fan fuses                                                  | PM..... Phase monitoring                       |
| F6..... CoreSense and heater fuse                                     | PS..... Power supply                           |
| F7..... Control circuit fuse                                          |                                                |
| H1 ..... Diagnosis LED                                                |                                                |
| K11..... Time relay for part-winding (if used)                        |                                                |
| M2 ..... Fan motor                                                    |                                                |
| Q11 ..... Compressor contactor                                        | Q15..... Fan contactor                         |
| Q12 ..... Compressor contactor Y (if Y/Δ start)                       | Q13..... Compressor contactor Δ (if Y/Δ start) |
| Q14 ..... Compressor contactor 2 <sup>nd</sup> part-winding (if used) |                                                |
| SB1 ..... Reset button                                                |                                                |
| Y21..... Solenoid valve capacity control 1                            |                                                |
| Y22..... Solenoid valve capacity control 2                            |                                                |
| T1..... Current sensor                                                | CM..... Current monitoring                     |



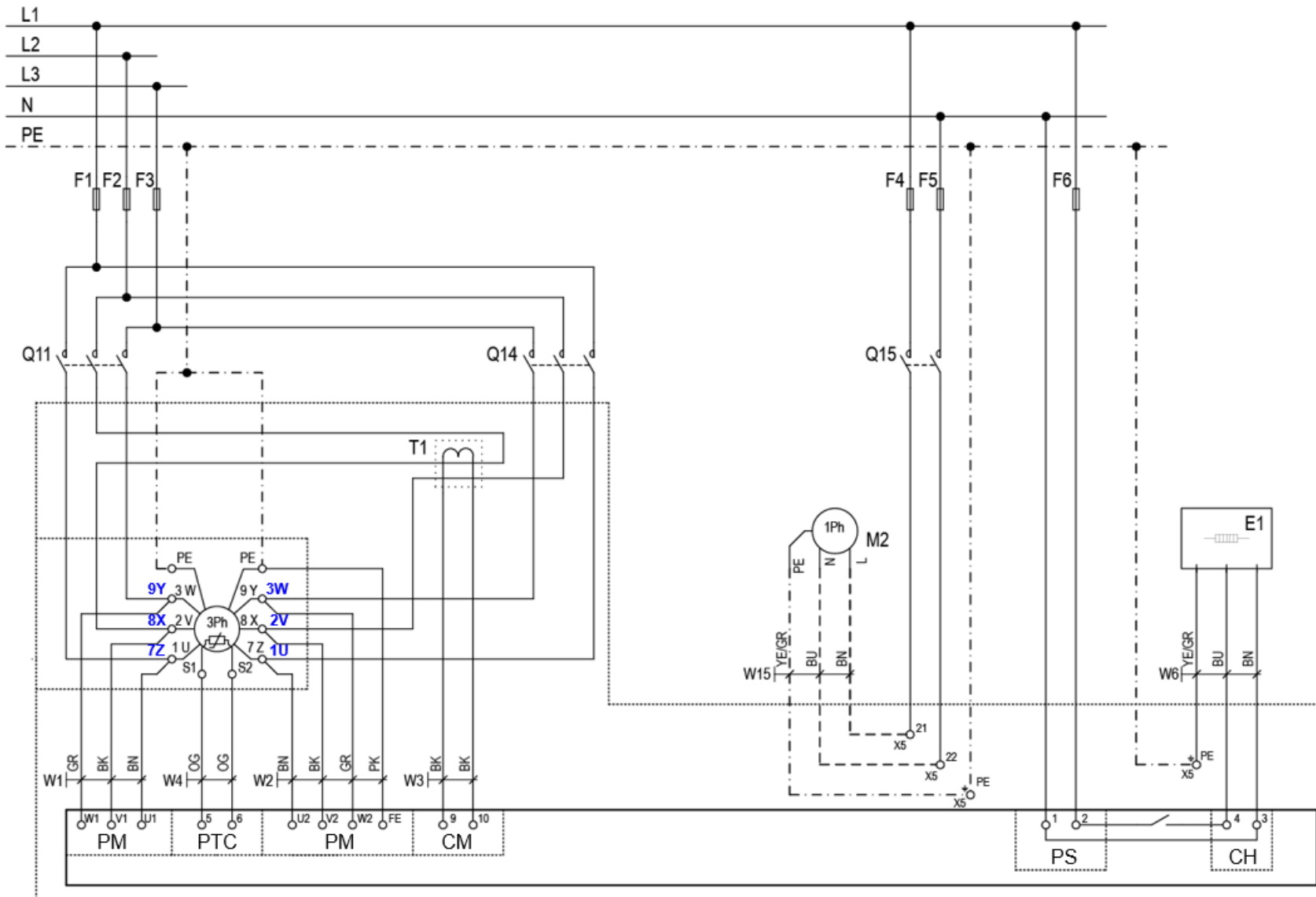


Figure 16: Wiring diagram for part-winding motors (AW...)

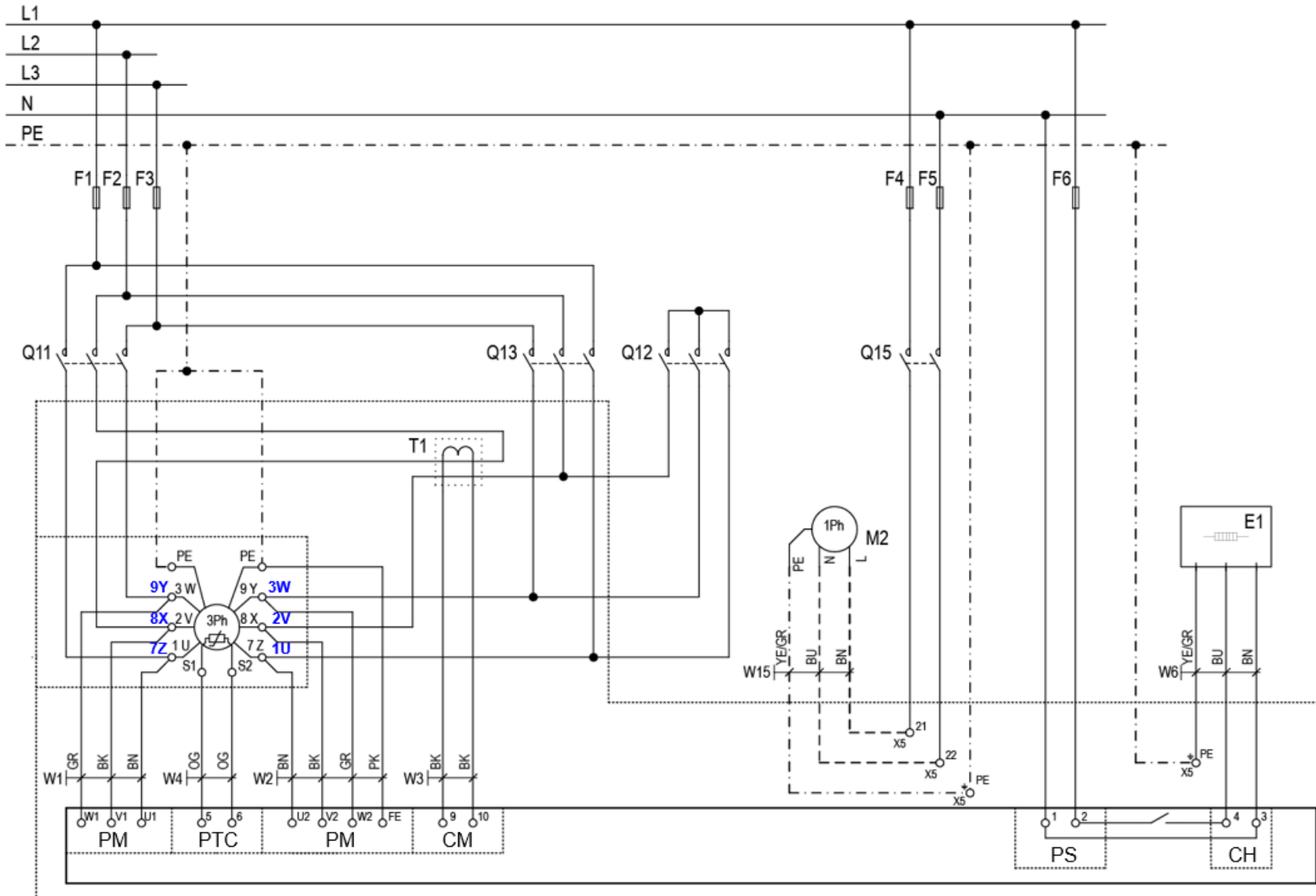


Figure 17: Wiring diagram for Star / Delta motors (EW...)

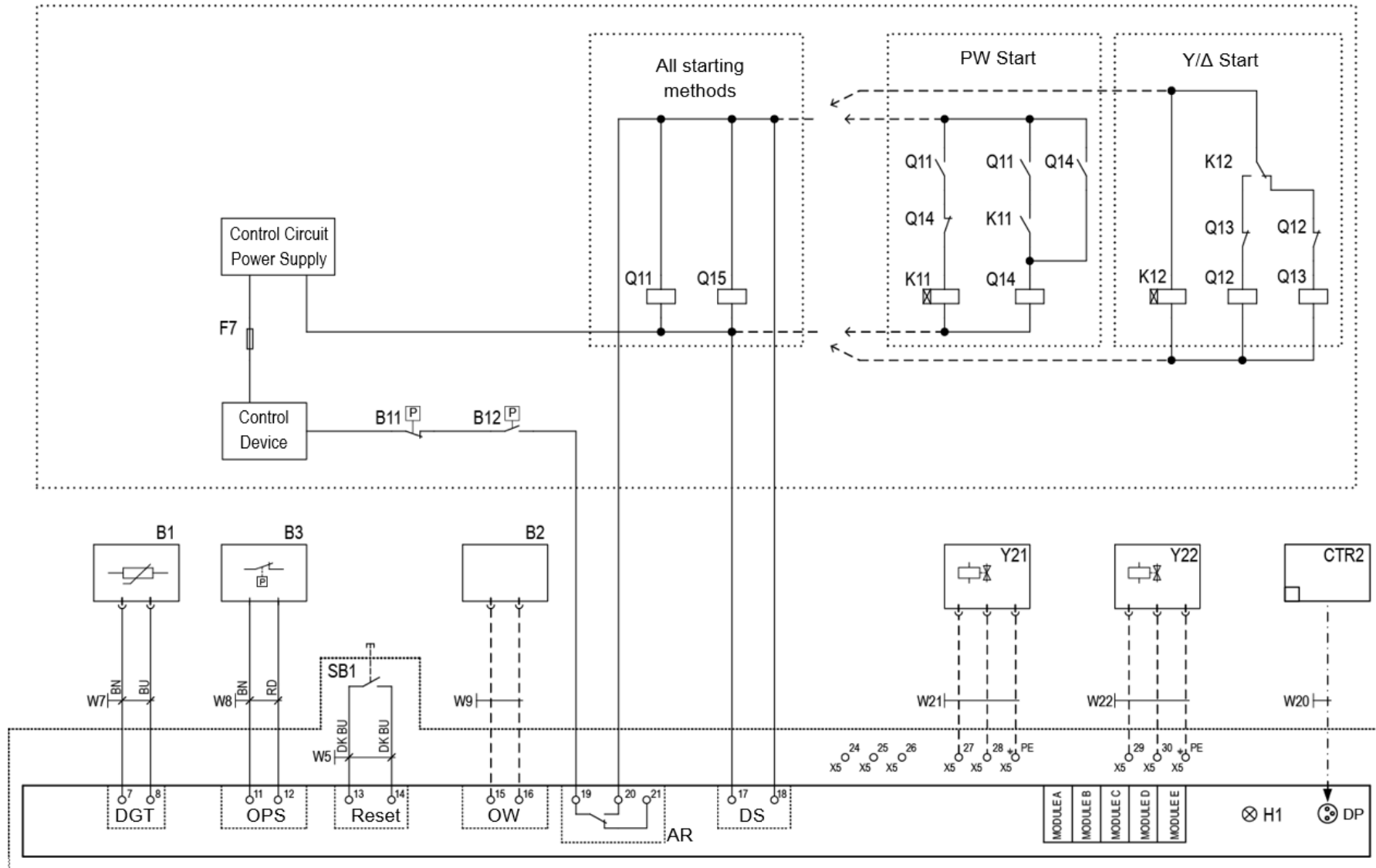


Figure 18: Wiring diagram (2<sup>nd</sup> part) for part-winding and Star / Delta motors (AW... and EW...)

**17 List of tables and figures**

**Tables**

Table 1: Next Gen CoreSense specifications .....3  
 Table 2: List of basic features .....4  
 Table 3: LED code legend .....6  
 Table 4: Flashing explanation .....11

**Figures**

Figure 1: Next Generation CoreSense module .....3  
 Figure 2: Next Gen CoreSense inside the terminal box .....3  
 Figure 3: Inside view of the Next Gen CoreSense module, with the modular boards .....4  
 Figure 4: OPS3 Oil Pressure Switch and electronic part (delivered connected) .....5  
 Figure 5: TraxOil OW5 Oil watch device .....5  
 Figure 6: Sight glass level control zones .....5  
 Figure 7: Discharge temperature sensor .....7  
 Figure 8: Current sensor .....7  
 Figure 9: Next Gen CoreSense module terminal box .....10  
 Figure 10: Wiring diagram – Crankcase heater connections .....12  
 Figure 11: Data port on the Next Gen CoreSense module .....12  
 Figure 12: USB gateway .....13  
 Figure 13: Bluetooth gateway .....13  
 Figure 14: Modbus extension module .....13  
 Figure 15: Next Gen CoreSense basic protections .....14  
 Figure 16: Wiring diagram for part-winding motors (AW...) .....15  
 Figure 17: Wiring diagram for Star / Delta motors (EW...) .....16  
 Figure 18: Wiring diagram (2<sup>nd</sup> part) for part-winding and Star / Delta motors (AW... and EW...) .....17